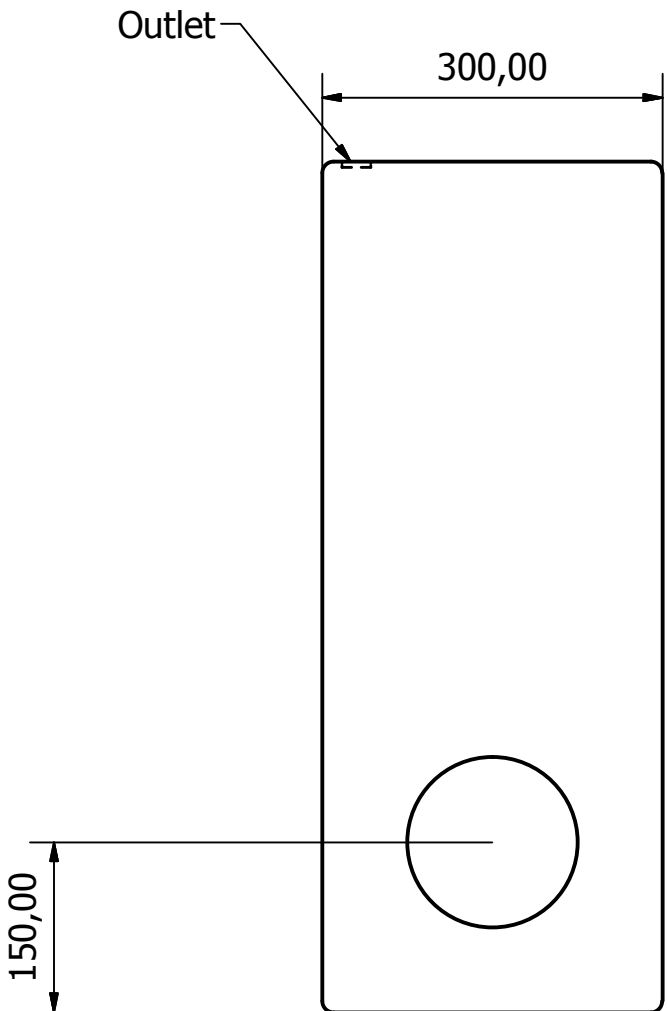
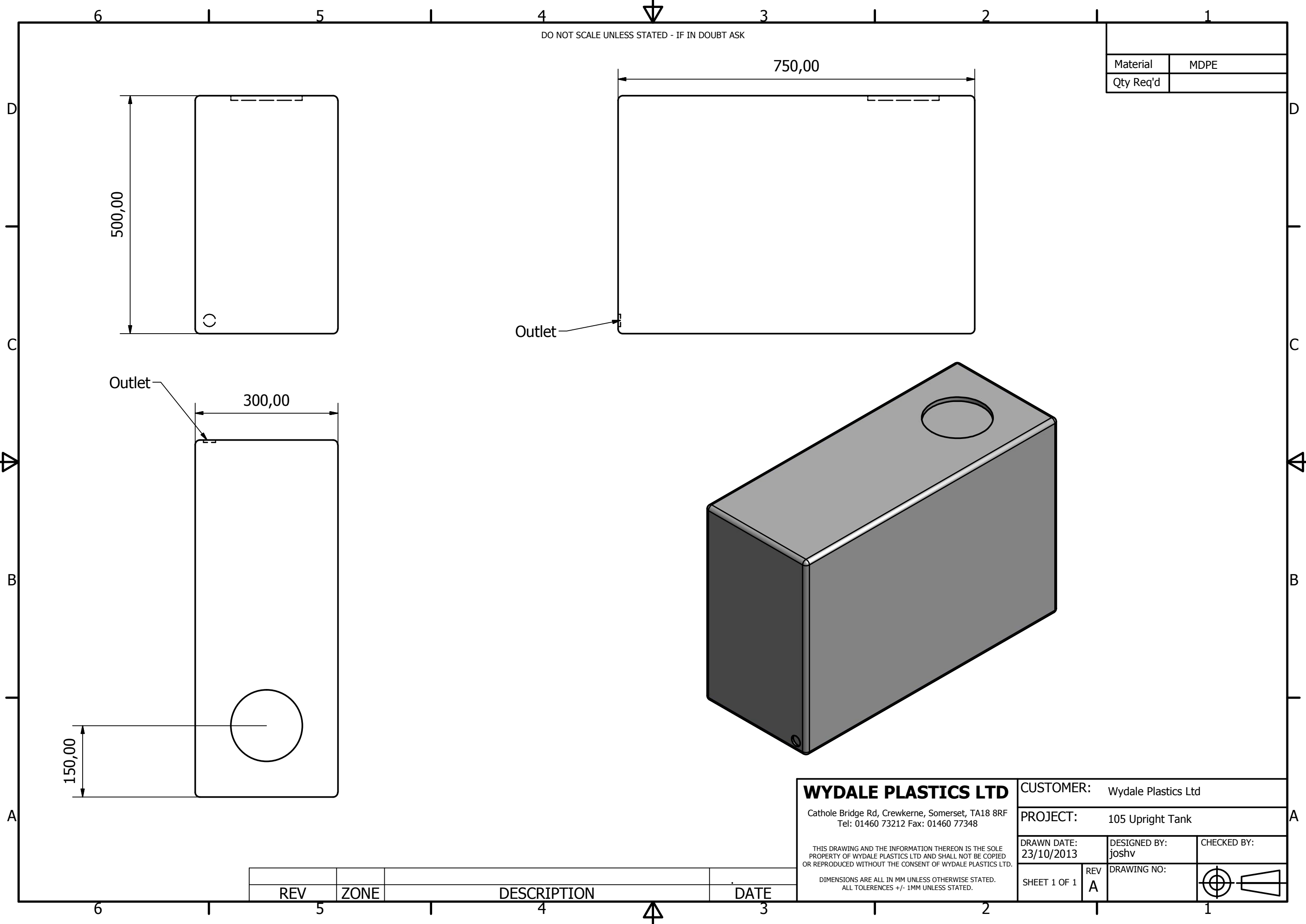


DO NOT SCALE UNLESS STATED - IF IN DOUBT ASK

Material	MDPE
Qty Req'd	



Outlet

**WYDALE PLASTICS LTD**

Cathole Bridge Rd, Crewkerne, Somerset, TA18 8RF  
Tel: 01460 73212 Fax: 01460 77348

THIS DRAWING AND THE INFORMATION THEREON IS THE SOLE PROPERTY OF WYDALE PLASTICS LTD AND SHALL NOT BE COPIED OR REPRODUCED WITHOUT THE CONSENT OF WYDALE PLASTICS LTD.

DIMENSIONS ARE ALL IN MM UNLESS OTHERWISE STATED.  
ALL TOLERANCES +/- 1MM UNLESS STATED.

CUSTOMER: Wydale Plastics Ltd

PROJECT: 105 Upright Tank

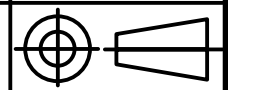
DRAWN DATE:  
23/10/2013

DESIGNED BY:  
joshv

CHECKED BY:

SHEET 1 OF 1

REV  
A  
DRAWING NO:



REV	ZONE	DESCRIPTION	DATE